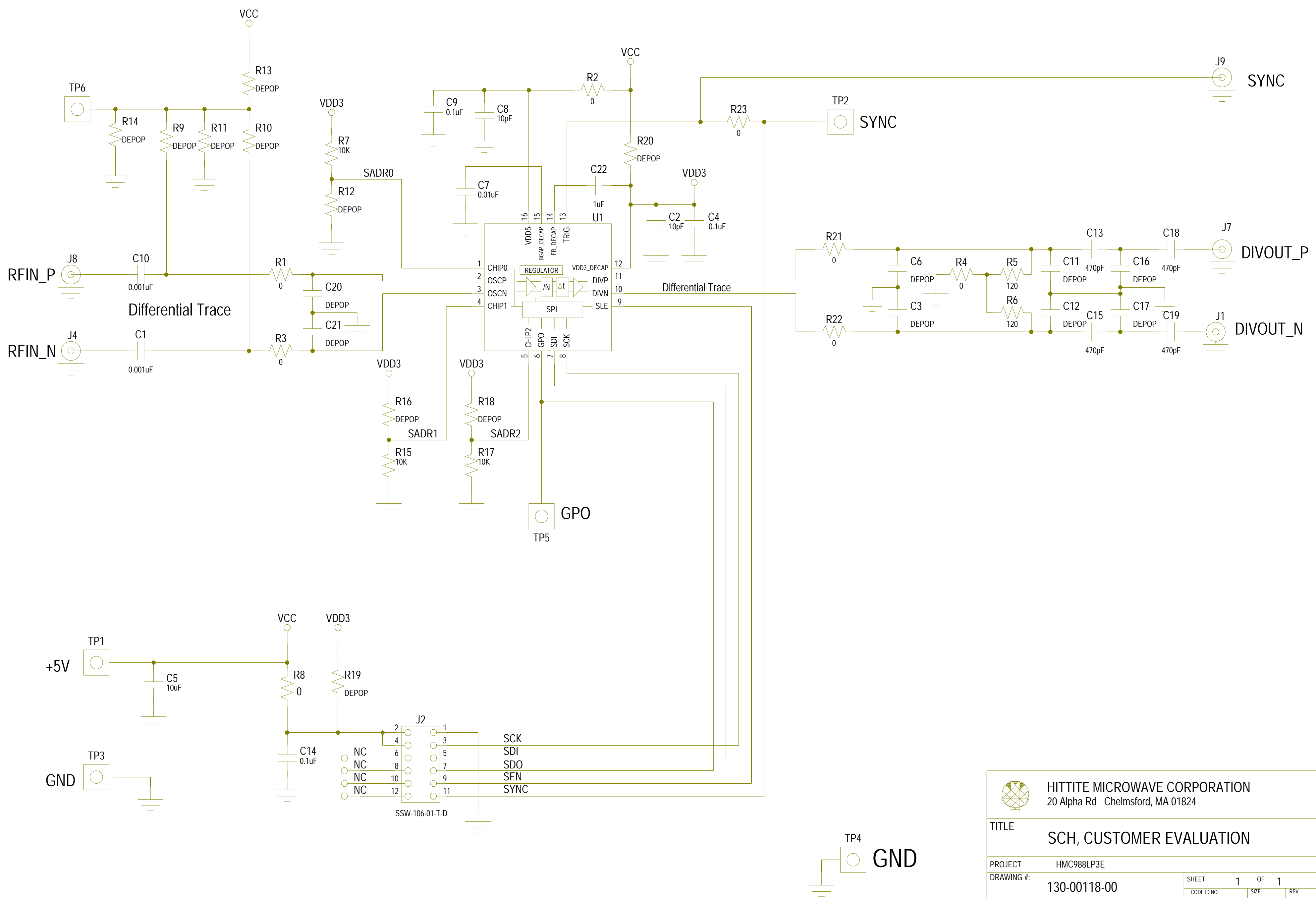



REVISIONS					
REV	ECN#	ZONE	DESCRIPTION	NAME	DATE
B	CP120107	----	PRODUCTION RELEASE CP120107	D. ACEVAL	02/08/2012
C	CP120226	----	PRODUCTION RELEASE CP120226	D. ACEVAL	02/17/2012

NOTICE OF PROPRIETARY PROPERTY: THIS DOCUMENT AND THE INFORMATION CONTAINED IN IT ARE THE PROPRIETARY PROPERTY OF HITTITE MICROWAVE CORPORATION. IT MAY NOT BE COPIED OR USED IN ANY MANNER NOR MAY ANY OF THE INFORMATION IN OR UPON IT BE USED FOR ANY PURPOSE WITHOUT THE EXPRESSED WRITTEN CONSENT OF AN AUTHORIZED AGENT OF HITTITE MICROWAVE CORPORATION.



 HITTITE MICROWAVE CORPORATION 20 Alpha Rd Chelmsford, MA 01824	
TITLE SCH, CUSTOMER EVALUATION	
PROJECT HMC988LP3E	SHEET 1 OF 1
DRAWING #: 130-00118-00	CODE ID NO. 1CN88 SIZE C REV C
DRAWN BY D. YOUNG	DATE 02/09/2011